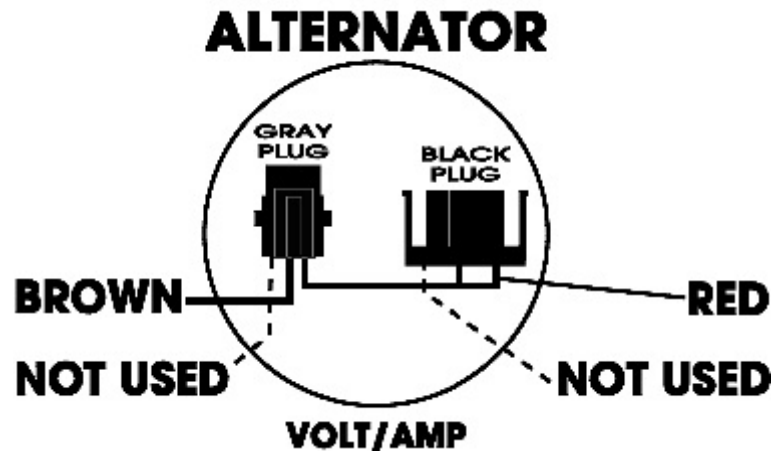


RON FRANCIS
Wiring

**AH-22
Alternator Wiring Kit
for Ford 2G
Alternators**

ALWAYS follow the wording on the wires themselves.



You will hookup the large **RED** wires to the proper connector socket of the alternator and run the other end to the starter solenoid or wherever your positive battery cable attaches to.. Install the sleeve & ring and connect it to the battery cable post of the starter solenoid or wherever your positive battery cable attaches to.

IMPORTANT: Installing the sleeve and ring terminal is an important connection.

Plug the other black connector into the alternator. The **BROWN** wire marked ALT FEED->ACC is run to an accessory hot source in your wiring system (hot with the key on).

Need Help? Call our techline at 610-485-1981

**Ron Francis Wiring
200 Keystone Rd.
Chester, PA 19013
610-485-1981
www.ronfrancis.com**